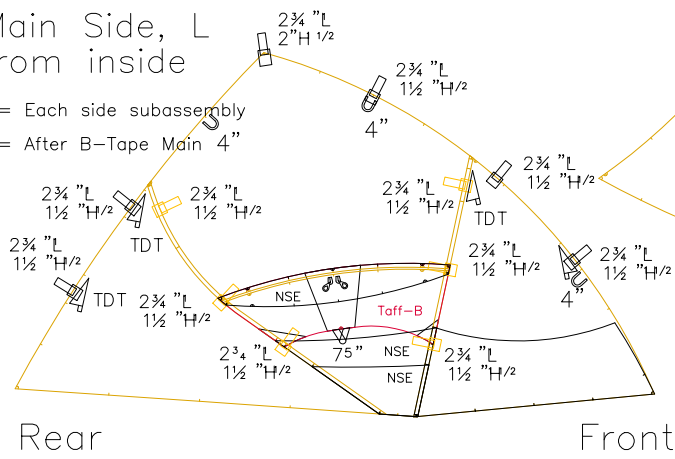


# Main Side, L from inside

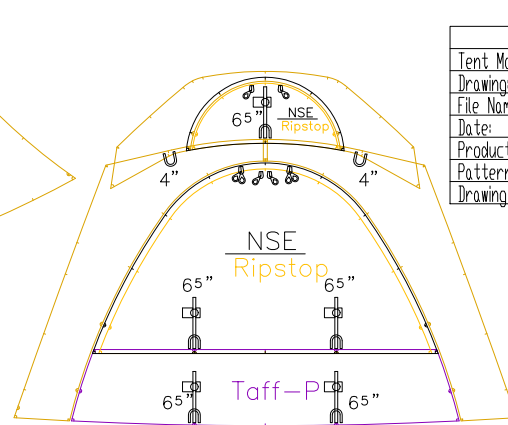
- = Each side subassembly
- = After B-Tape Main 4"



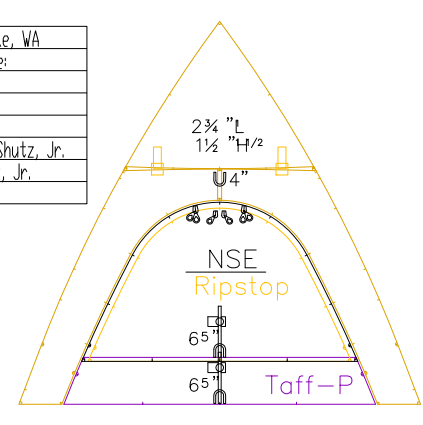
Rear

Front

GARUDA MOUNTAINEERING, Seattle, WA	
Tent Model:	Model Code:
Drawing:	
File Name:	
Date:	
Product Concept & Design: Byron C. Shutz, Jr.	
Patterns & Specs By: Byron C. Shutz, Jr.	
Drawing By: Byron C. Shutz, Jr.	



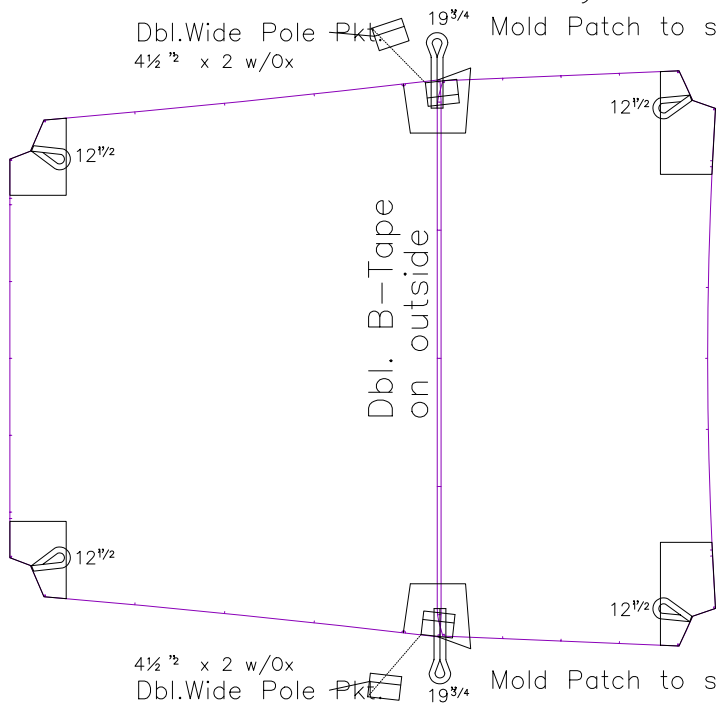
Front Inner Door



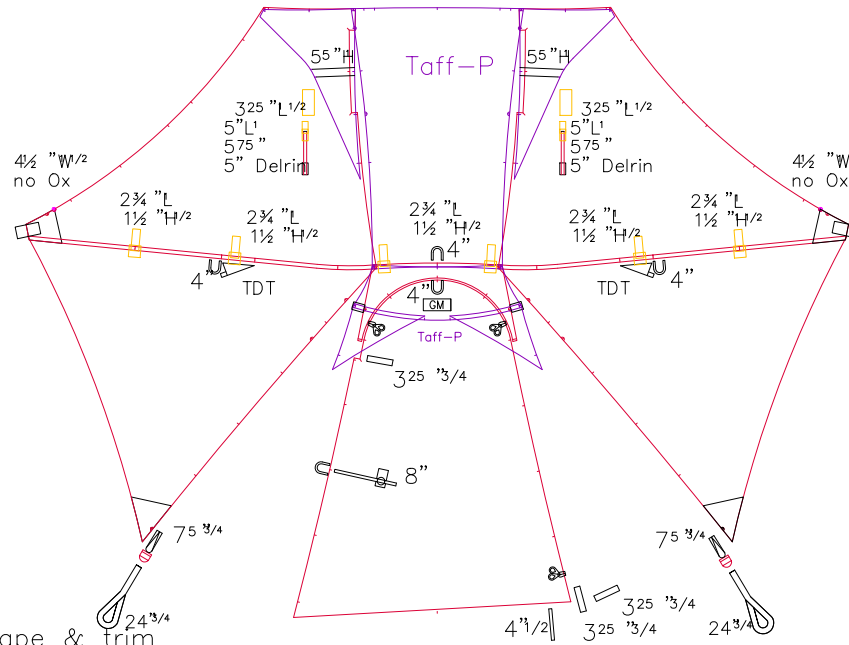
Rear Inner Door

# Floor Assembly

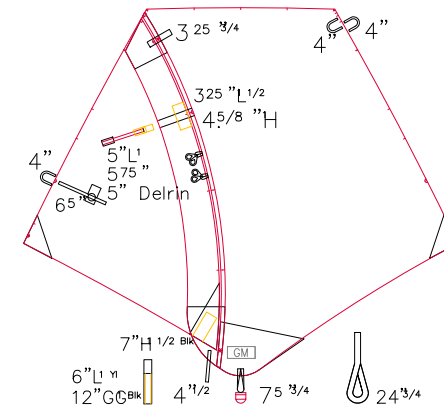
Dbl. Wide Pole Pkts.  $19\frac{3}{4}$ " Mold Patch to shape & trim  
 $4\frac{1}{2}$ " x 2 w/Ox



# Front Vestibule & Door



# Rear Vestibule & Door



Tambu (2P6)  
 '97 Schematic  
 (2p6-97-x.gcd) 09/96