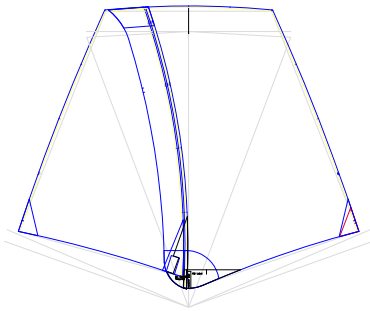
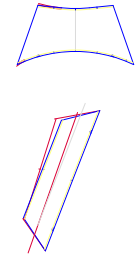
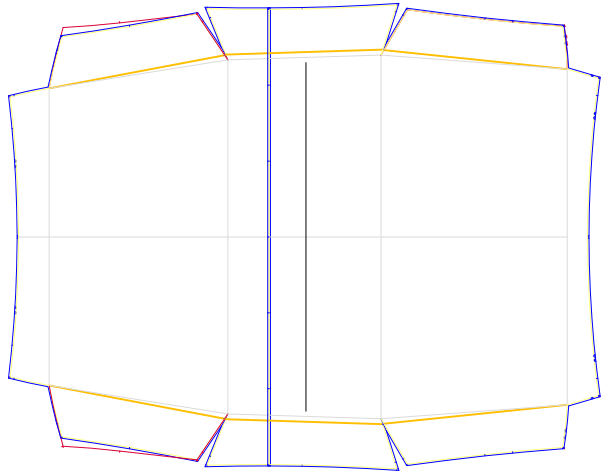


Pattar - Zippers YKK #7 & #5



GARUDA MOUNTAINEERING, Seattle, WA	
Tent Model:	Model Code:
Drawing:	
File Name:	
Date:	
Product Concept & Design: Byron C. Shultz, Jr.	
Patterns & Specs: Byron C. Shultz, Jr.	
Drawing: Byron C. Shultz, Jr.	

